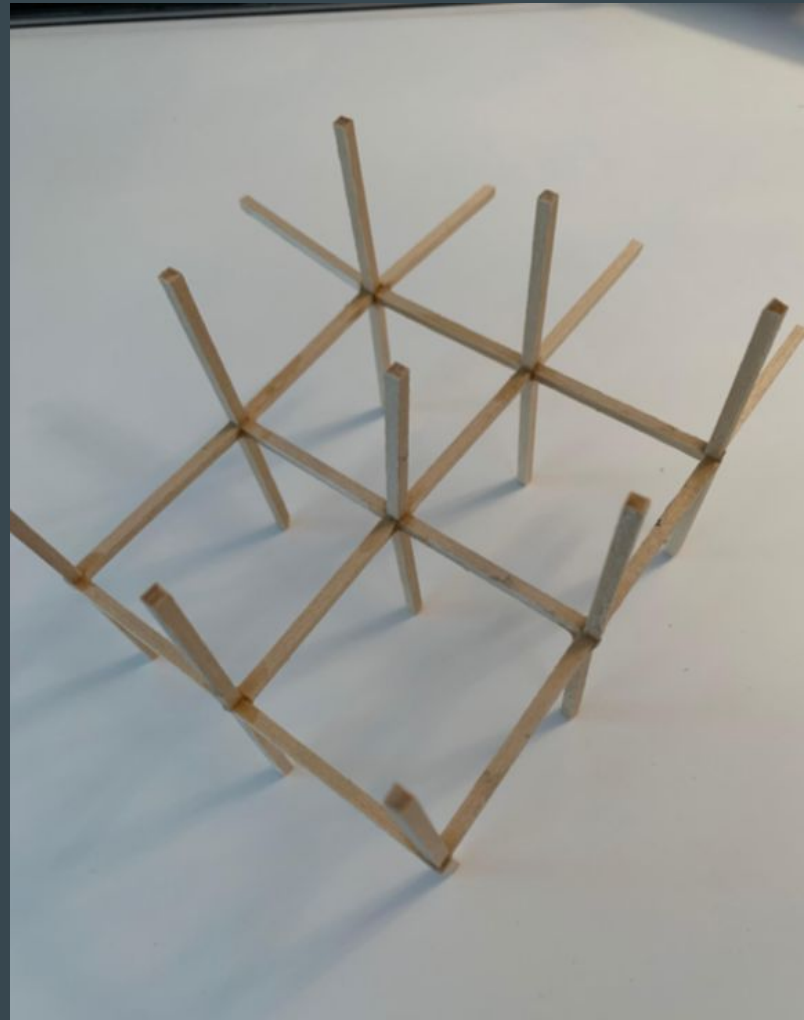
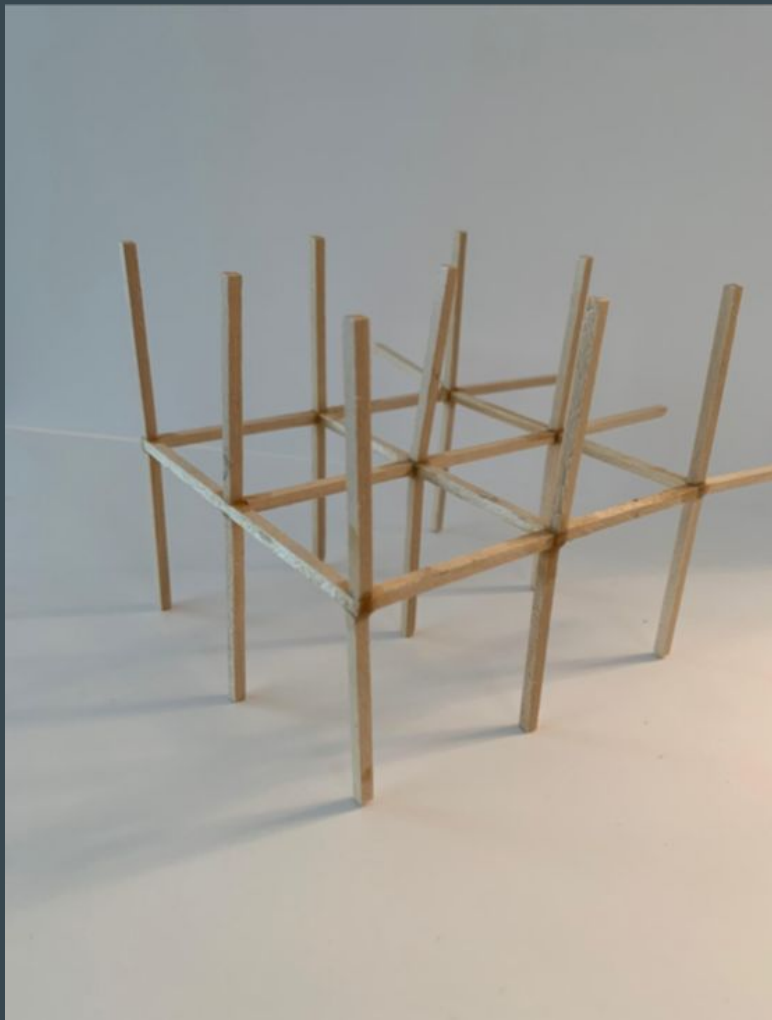


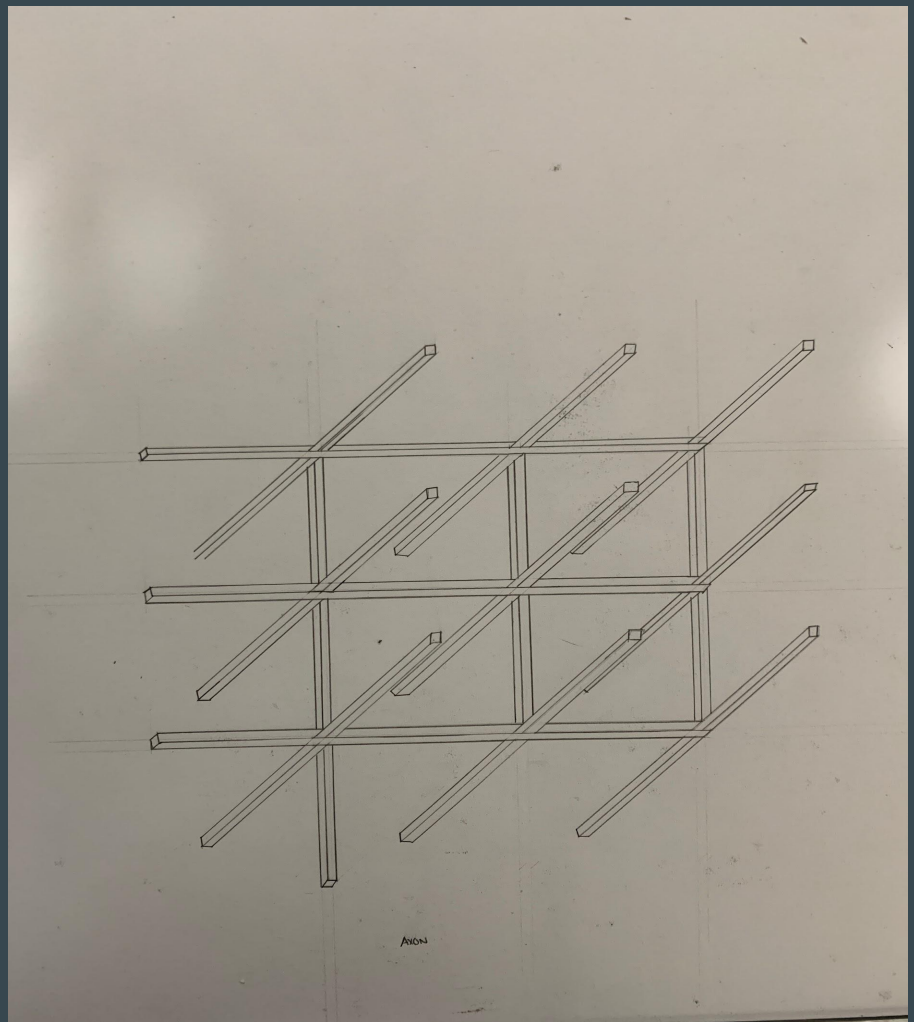
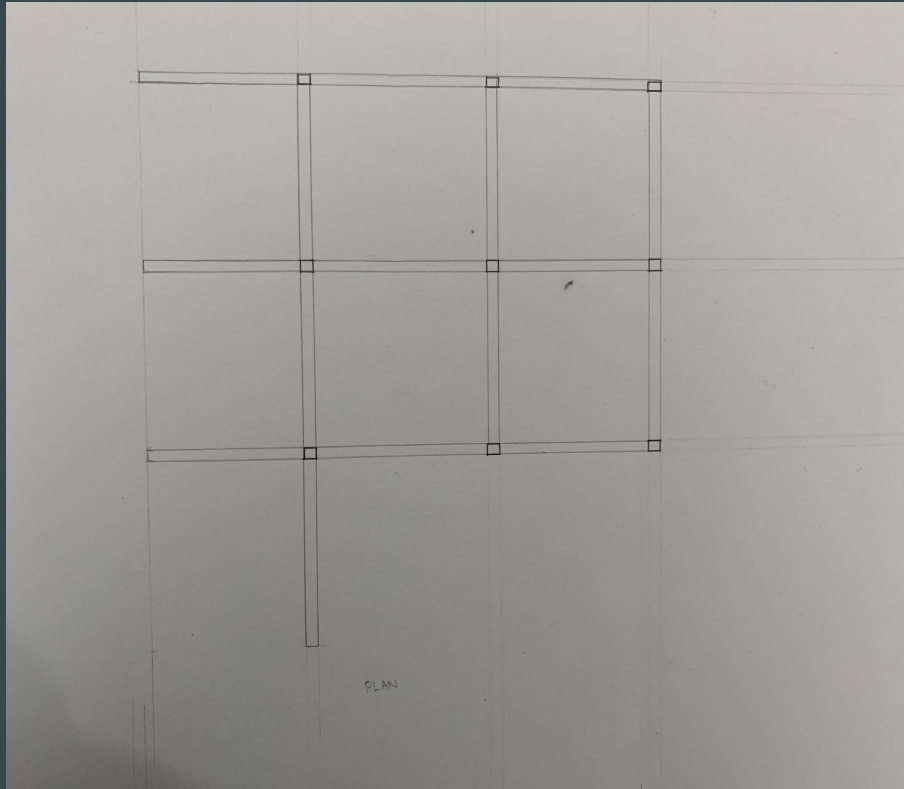
Materiality & Assembly

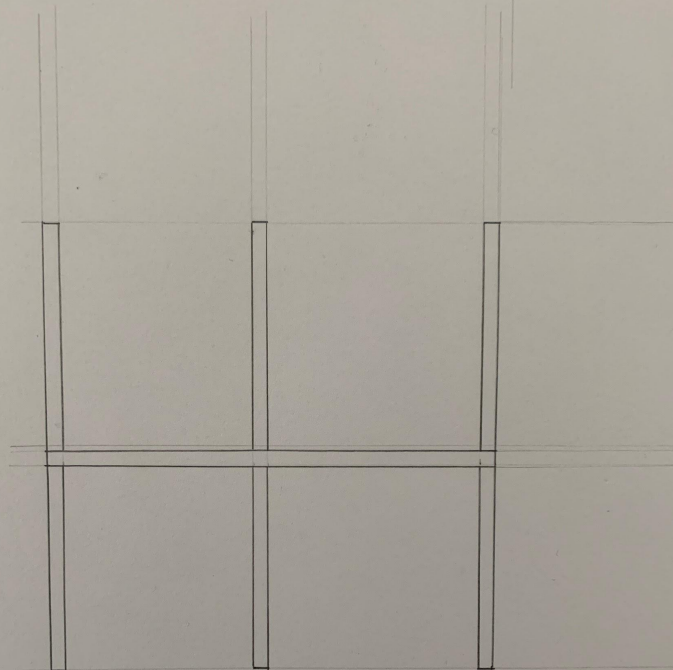
2.1 Material Interrogation & Assembly Systems



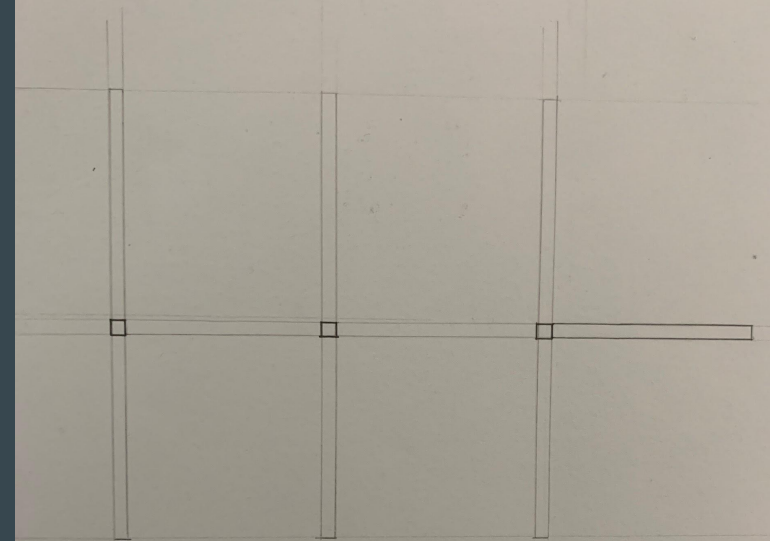
Kate Choo Chew



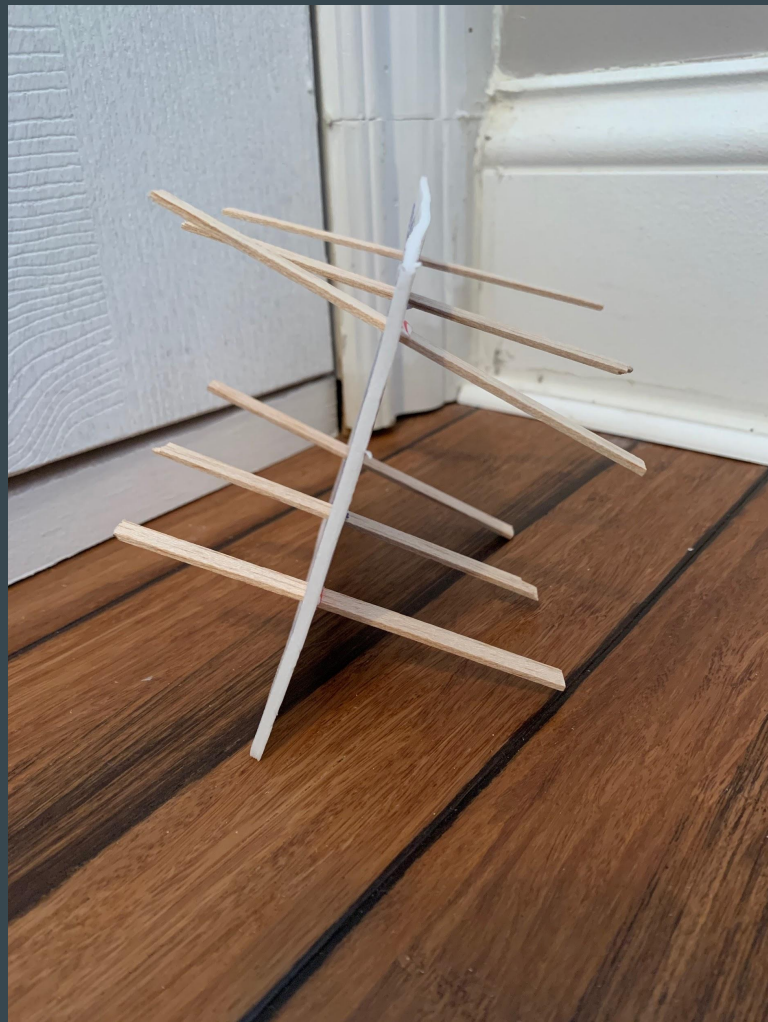


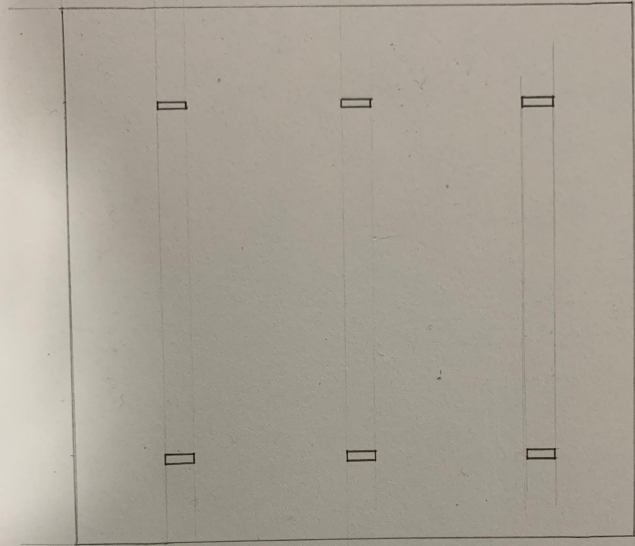


SECTION

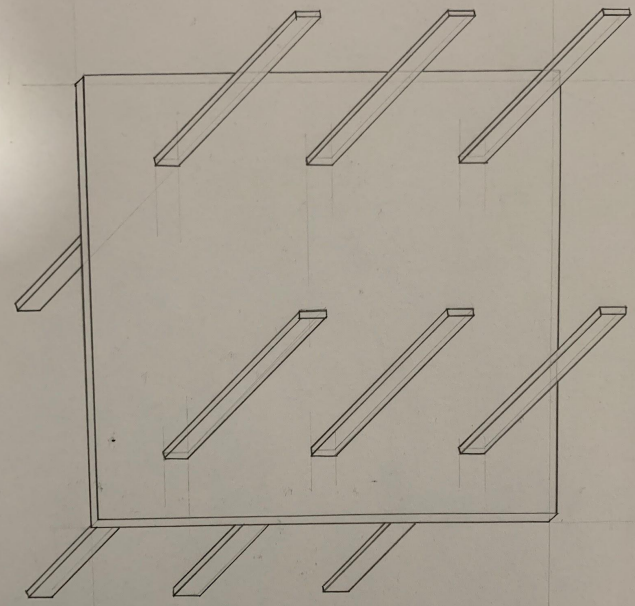


ELEVATION

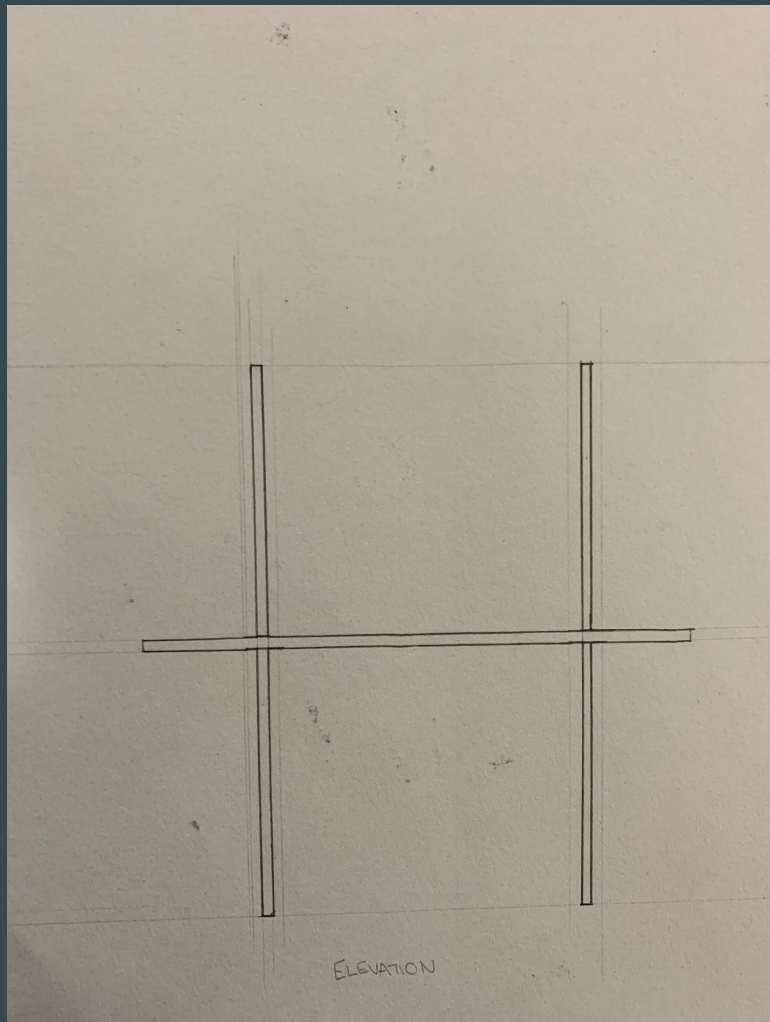
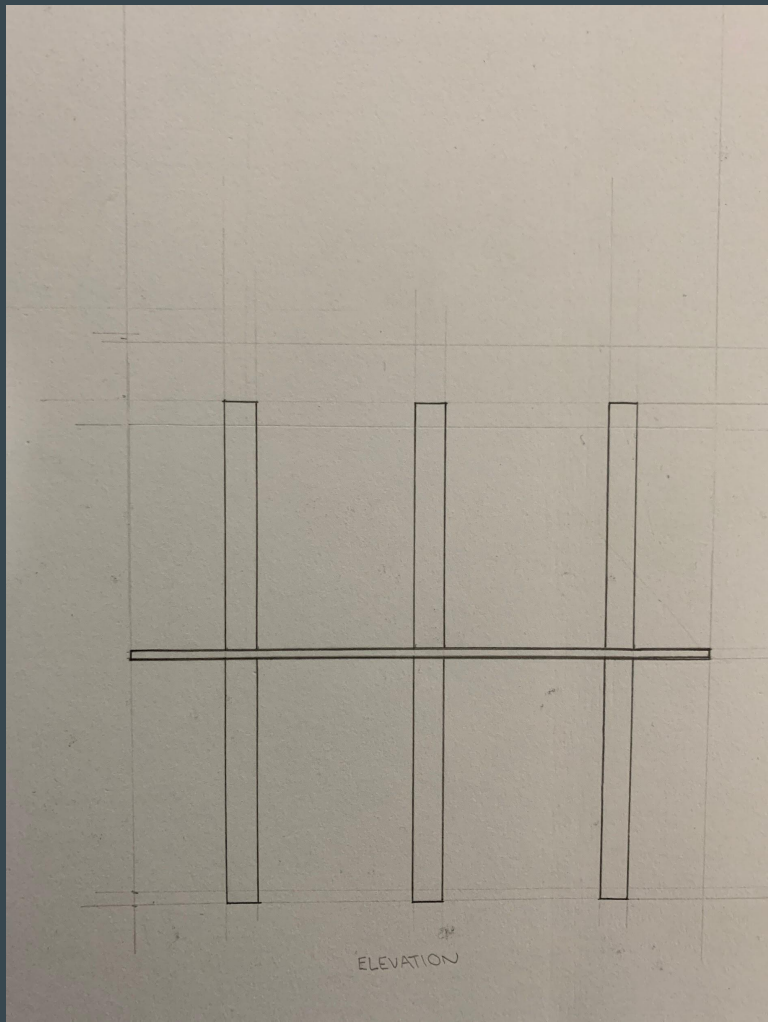




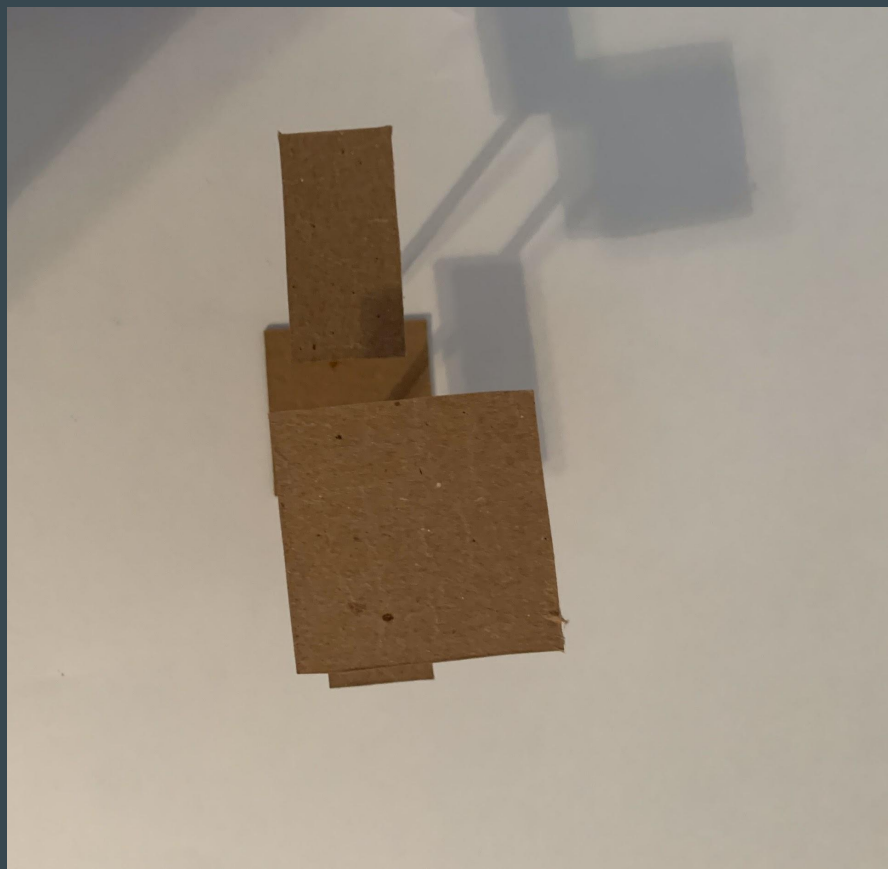
PLAN

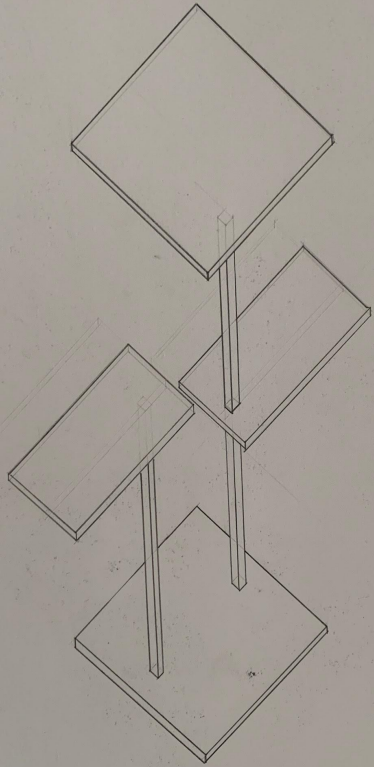


AXON

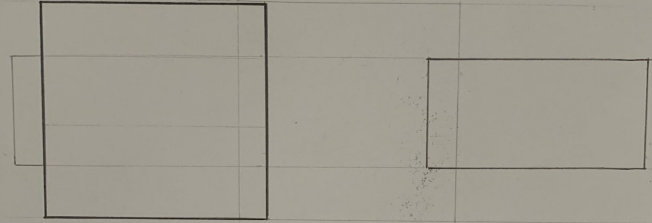




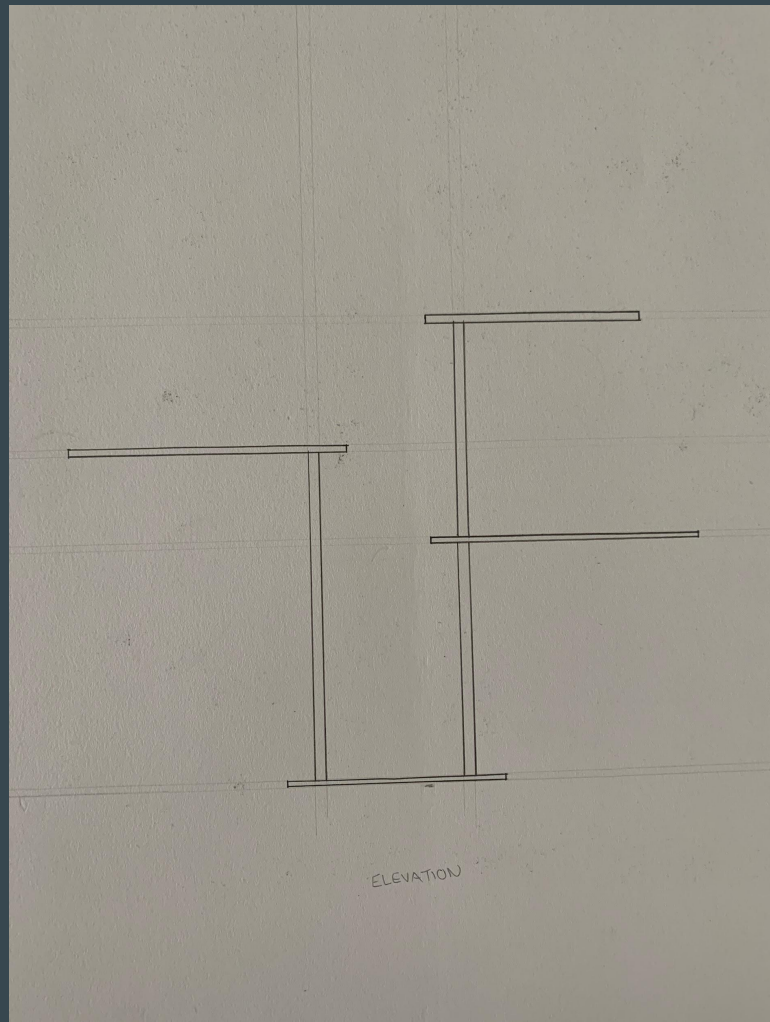
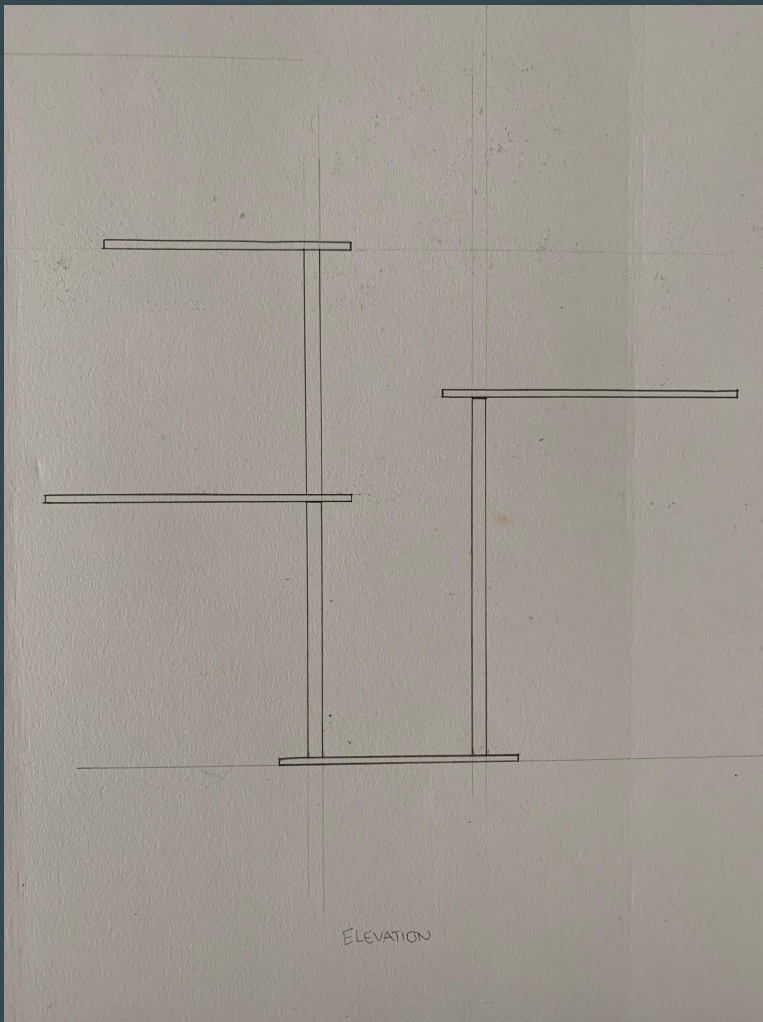


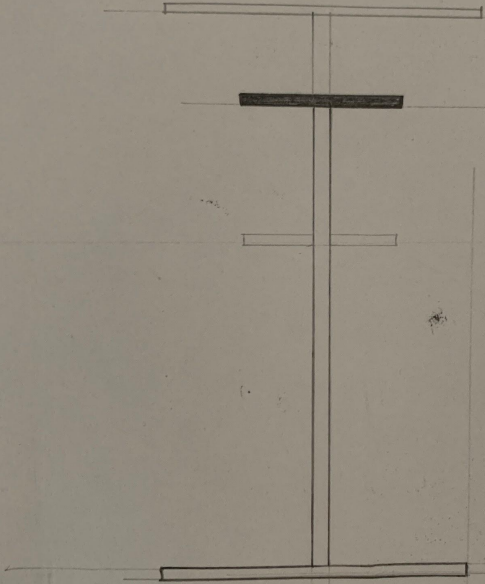


AYON

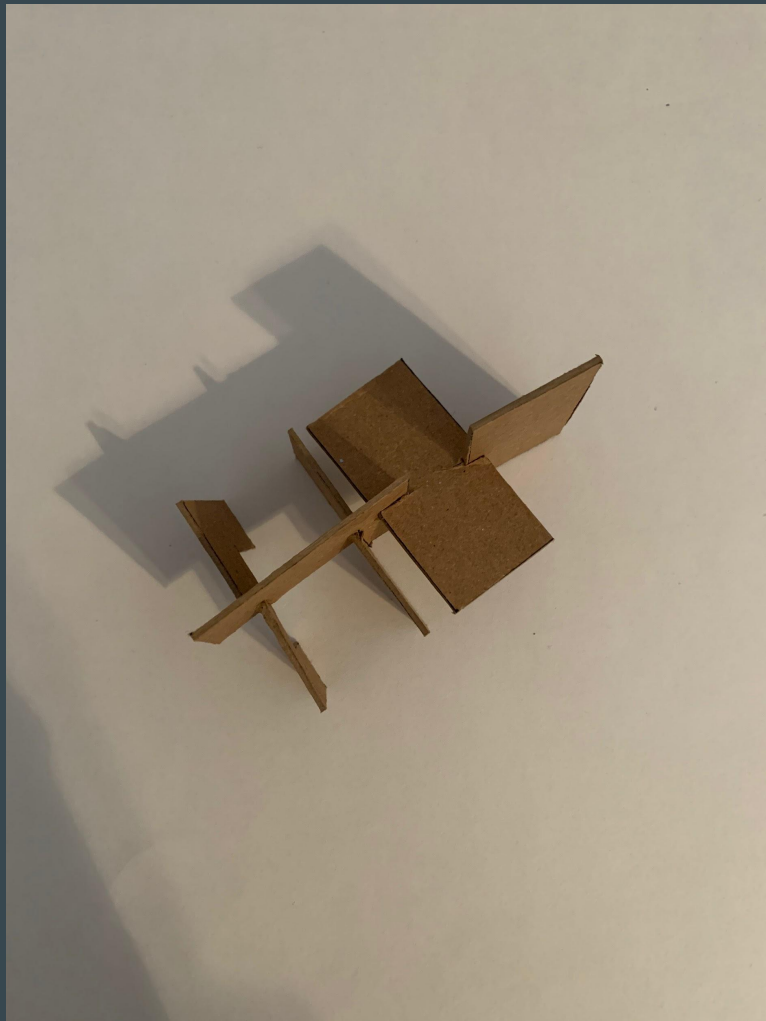
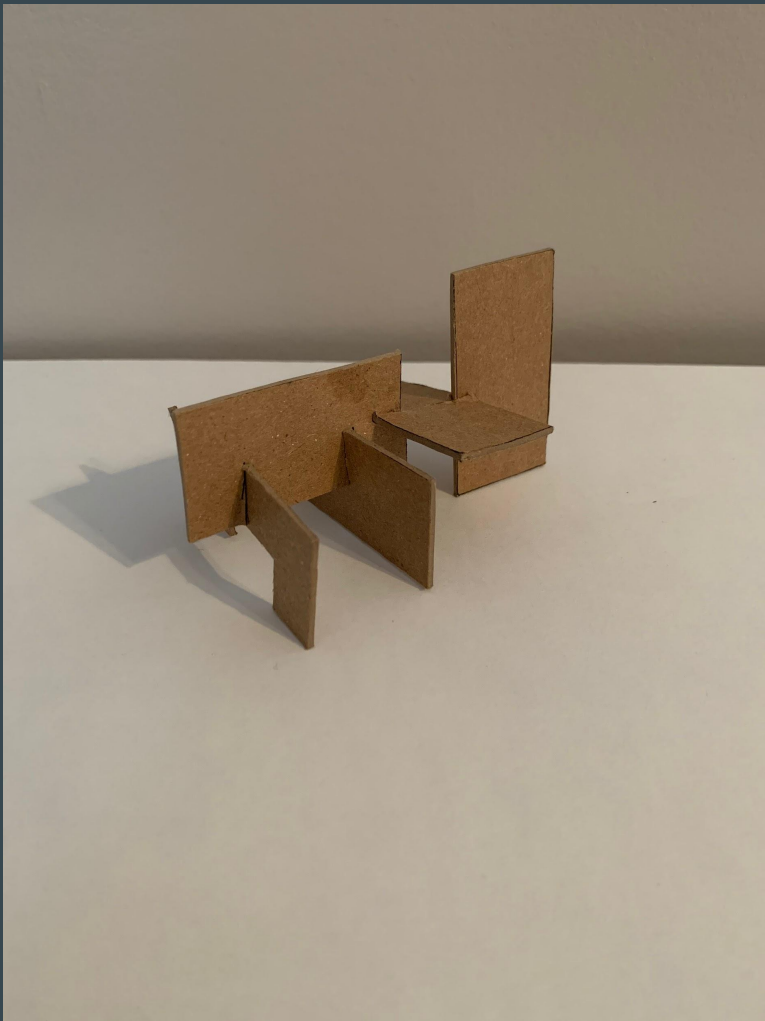


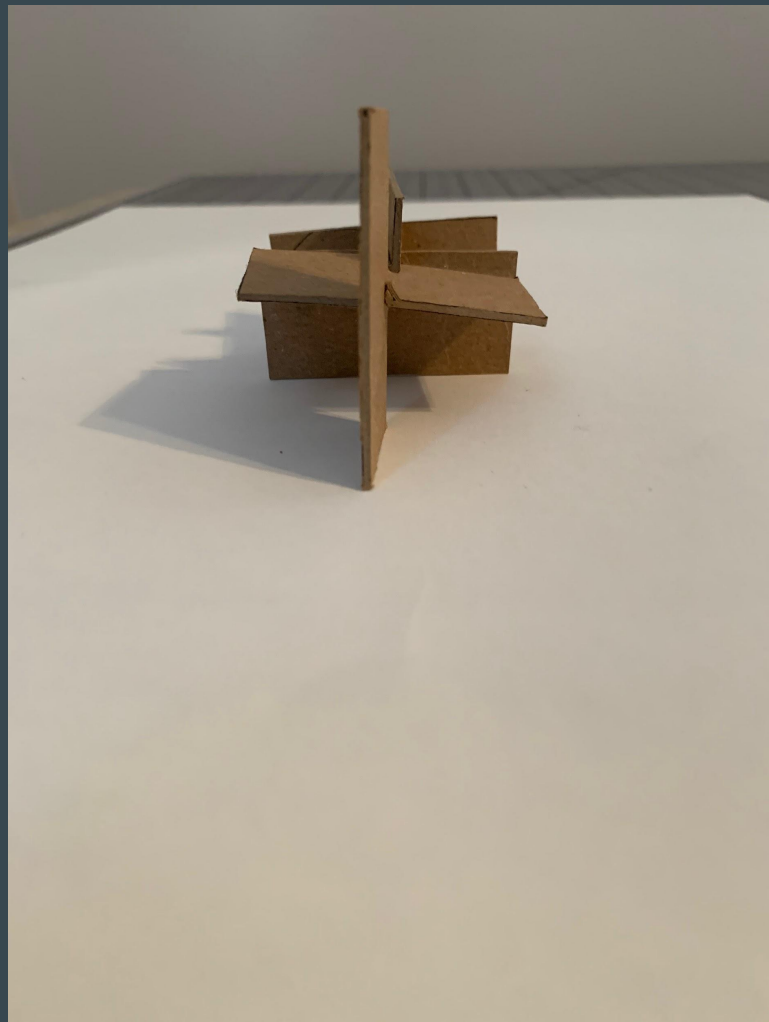
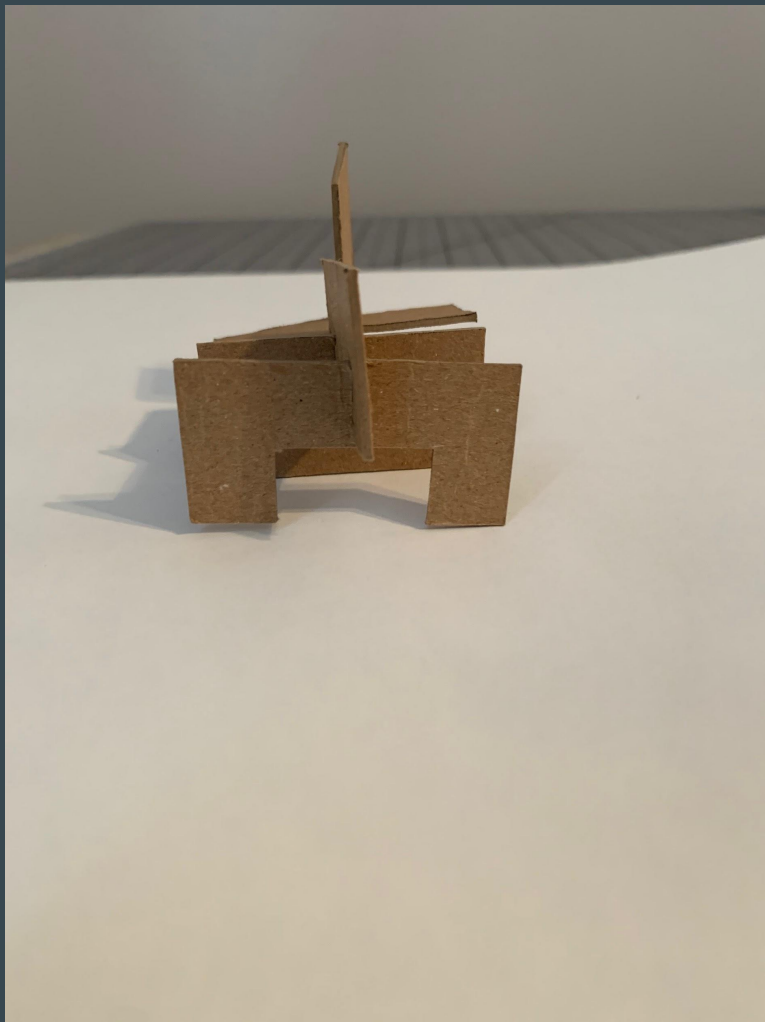
PLAN

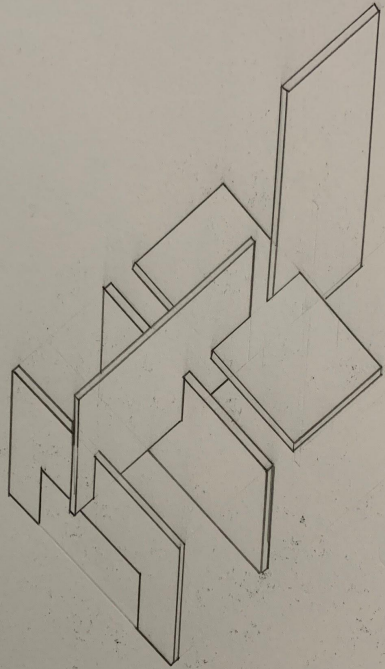




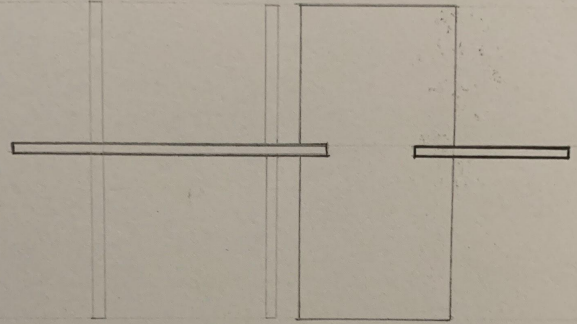
SECTION



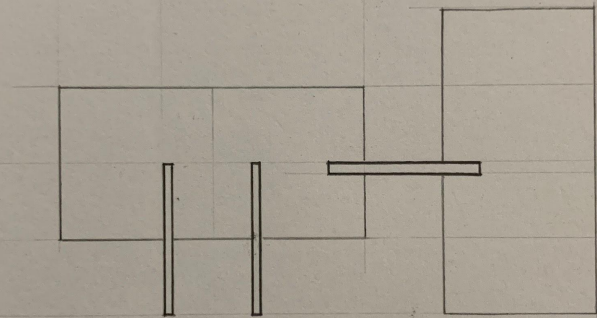




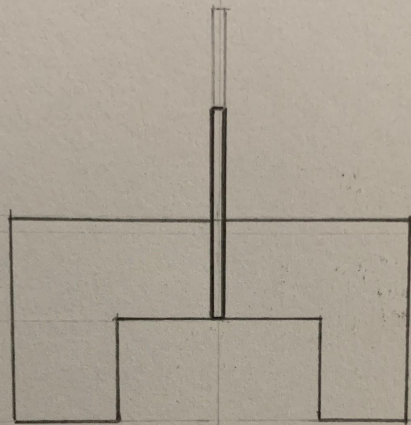
AXON



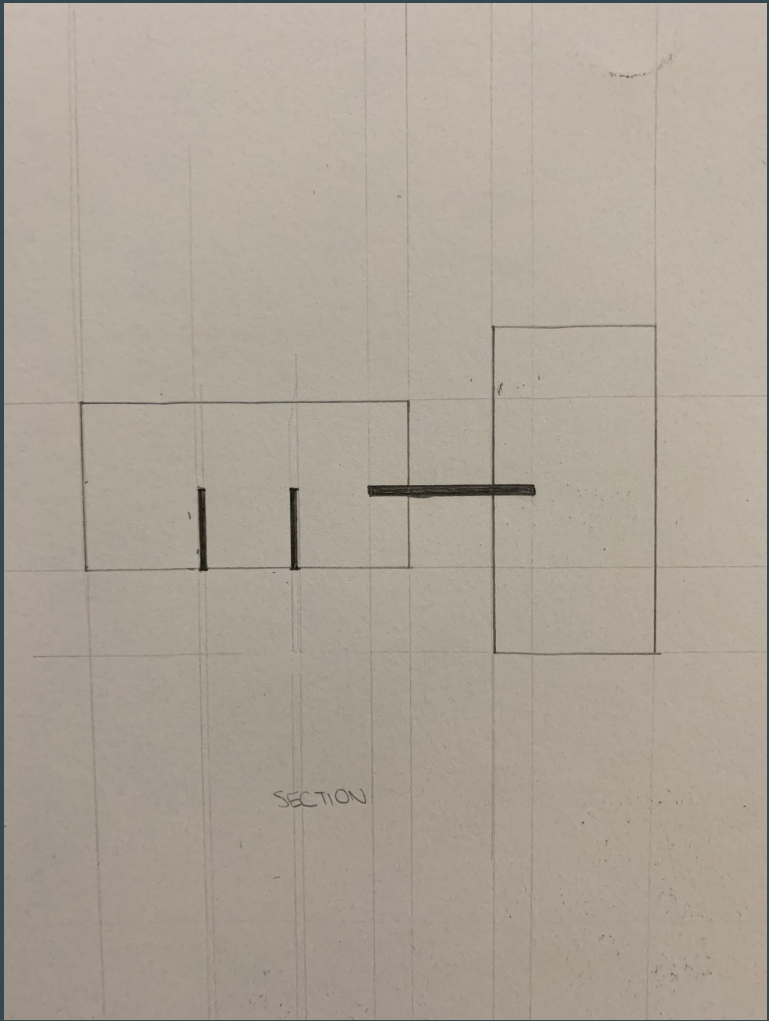
PLAN



ELEVATION



ELEVATION



SECTION