

CLOSE UP OF JOINERY AND HINGE

MATERIALS:

1/4" thick clear tempered glass

air plants

wire framing

JOINERY:

90 degree glass clamps

90 degree class hinge pivots

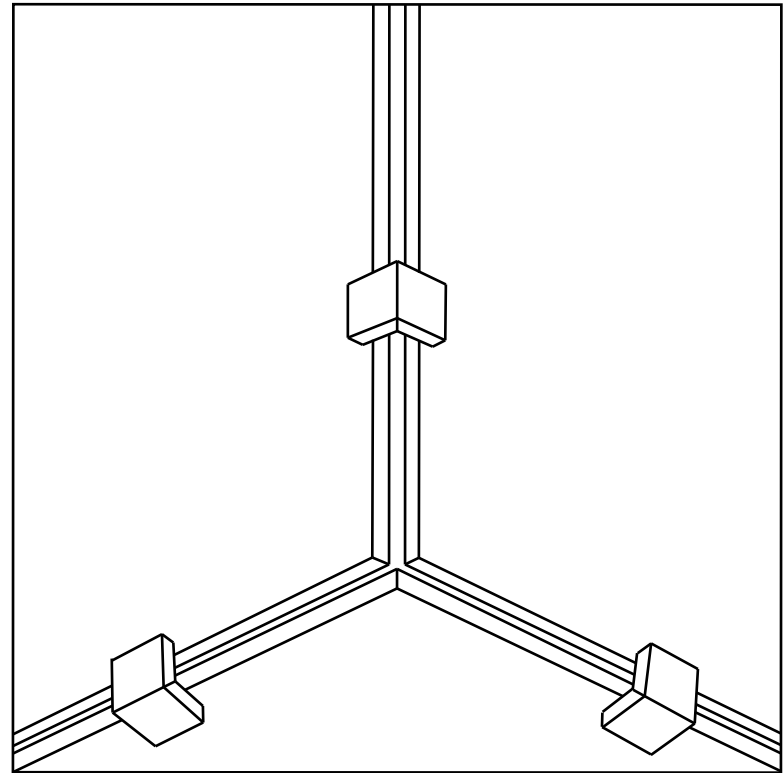
FINISH:

chrome finish on all pivots and clamps

clear finish on all glass



DEPTH OF GLASS



CLOSE UP OF JOINERY