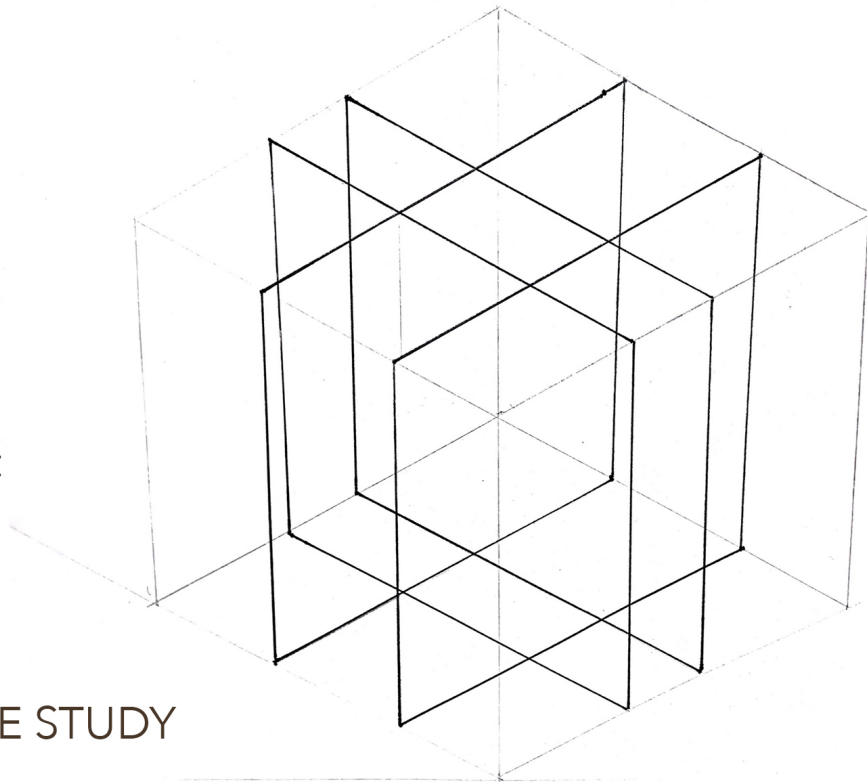


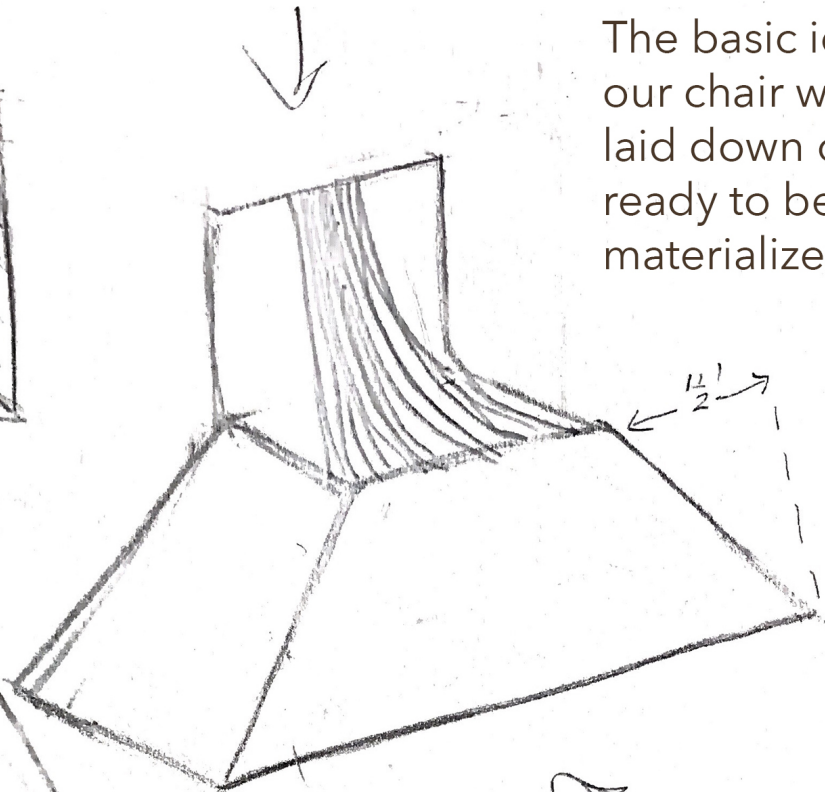
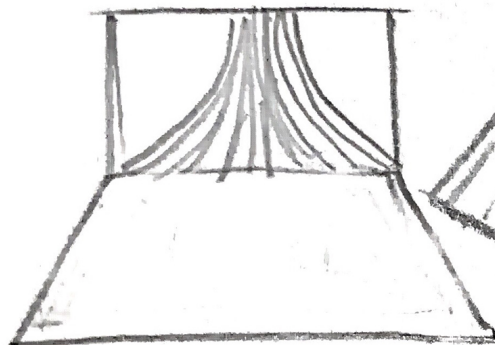
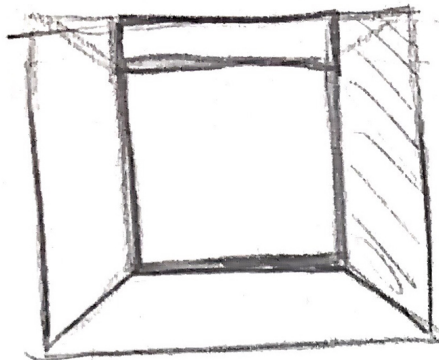
CHAIR MODEL: SPACE/MATERIALITY

FERNANDO OSORIO



This would help guide us almost like a grid to create our concept.

CONTINUOUS LINE STUDY

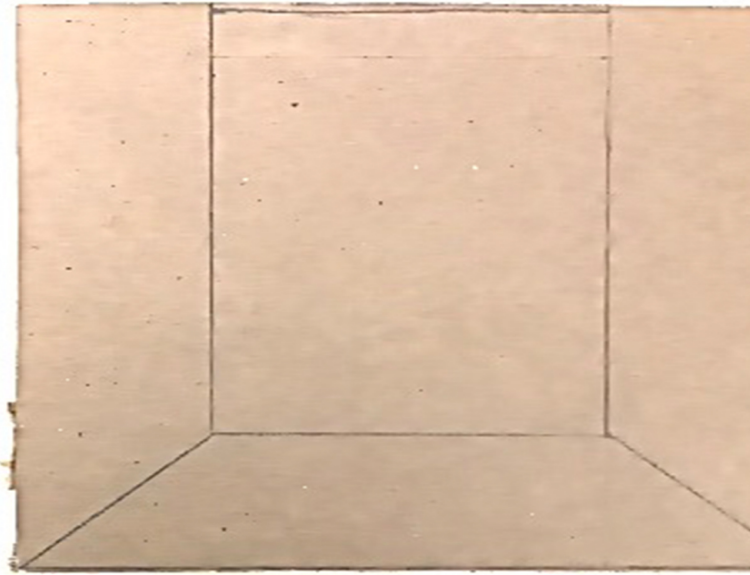
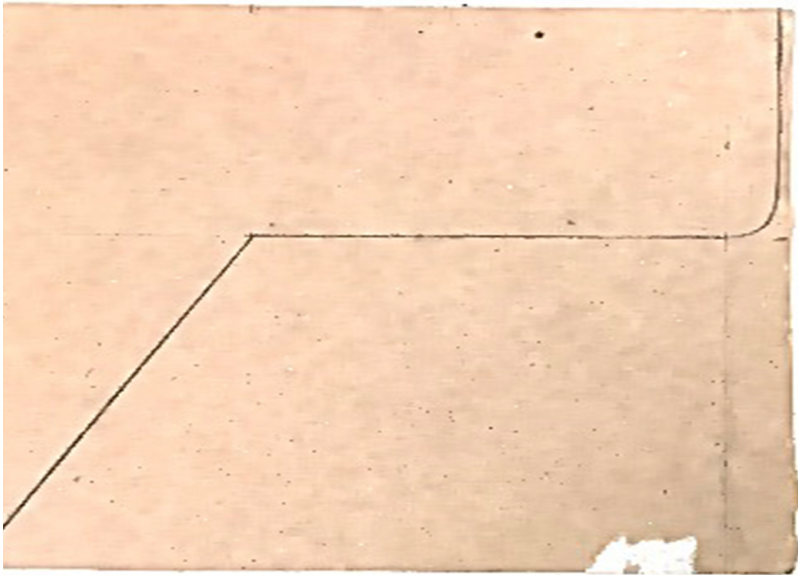
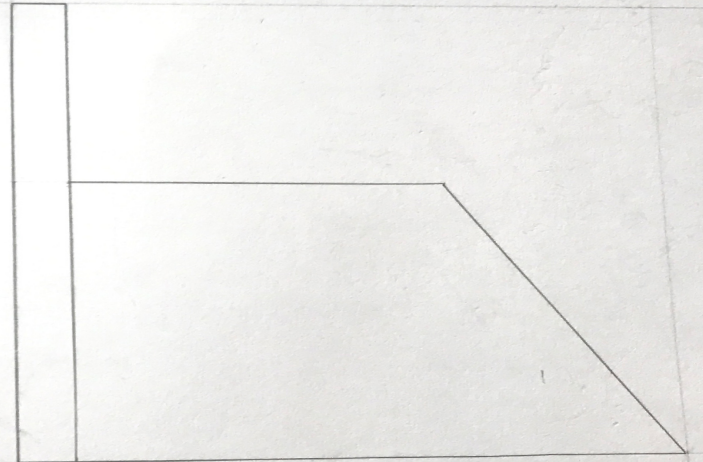
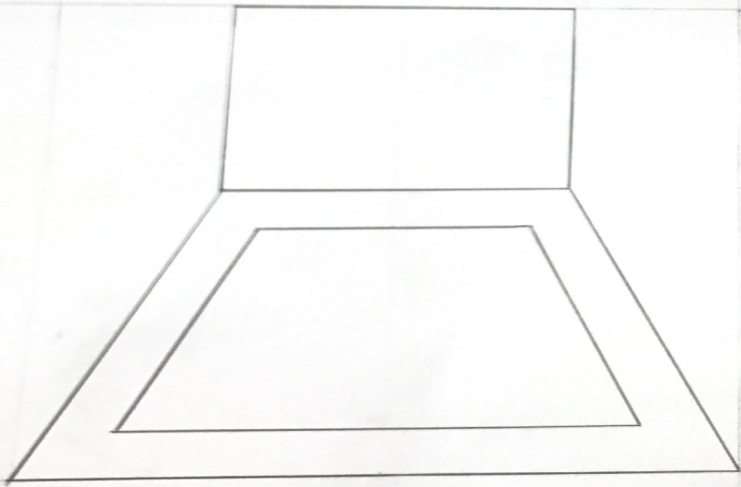
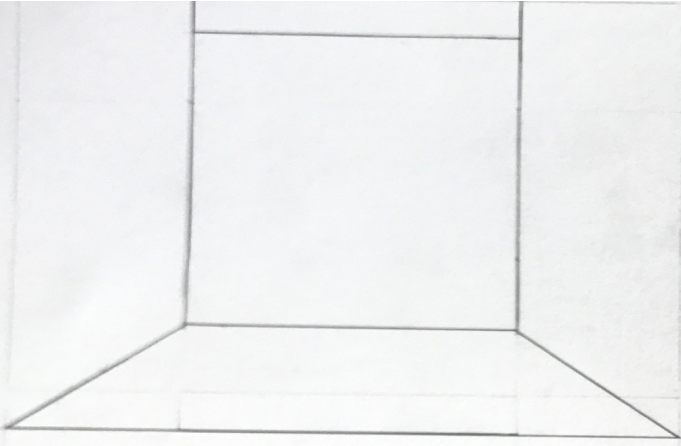


CONCEPT DRAWINGS

The basic idea of our chair was now laid down on paper ready to begin to materialize it

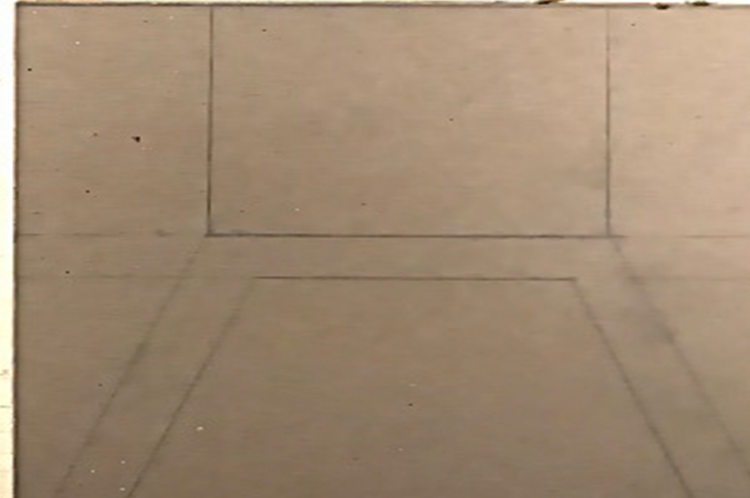
ISOMETRIC DRAWING

First step to making it an object, now specifying it's dimensions.



CHIPBOARD

To see our object in space, the chipboard model would now show us.



FINAL PRODUCT

After guiding ourselves with our chip board, we were finally able to make our drawings into an actual model for a chair.

